

Data Sheet

Hard-Wired Floor Heating Controls

FH-WC Connection Box - 230 VAC output

Application



FH-WC is a connection box for use in hydronic floor heating systems supplied from a manifold.

FH-WC is a wiring center for connecting thermal actuators to the room thermostats. It is provided with two potential-free relays for controlling a circulation pump and a boiler. The relays are activated when one or more thermostats require heat.

FH-WC has 8 available outputs.


FH-WC is connected to 230 VAC/50 Hz.

Mounting is made easy due to the symbols printed on the screw terminals.

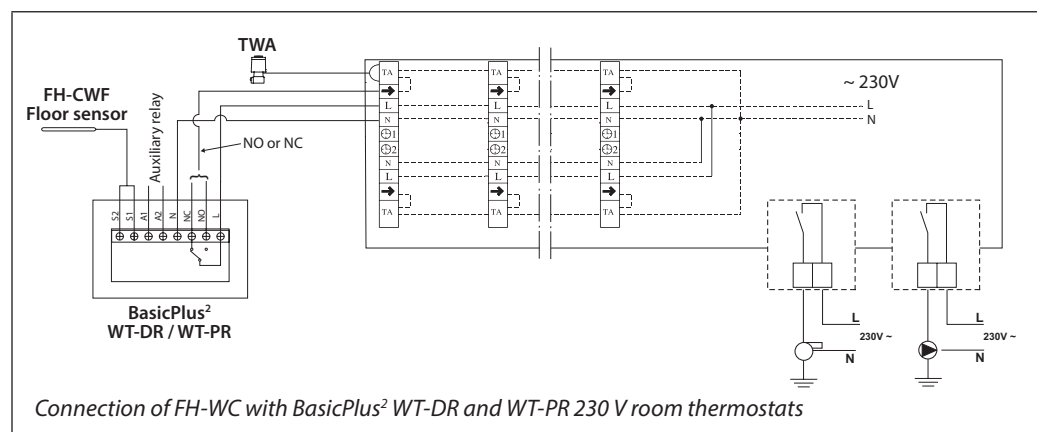
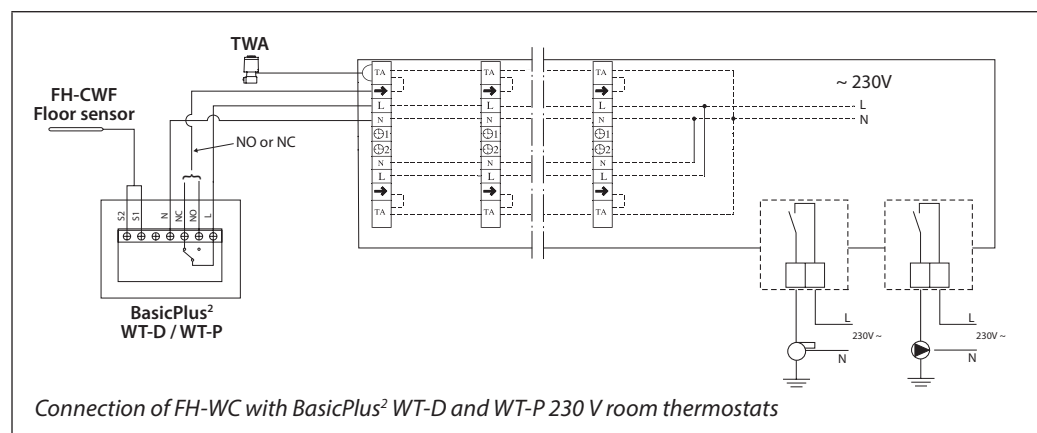
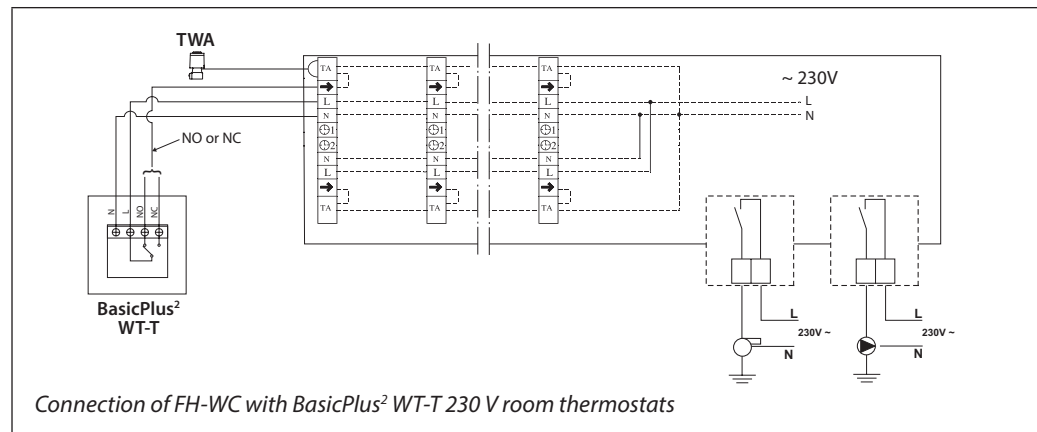
Ordering

| Product | Type | Supply voltage | Output voltage | Actuator, type/no. | Code no. |
|---|-------|----------------|----------------|--------------------|-----------------|
| Connection box with power cord and plug | FH-WC | 230 VAC | 230 VAC | NC/16 | 088H0016 |

Technical specifications

| | |
|-----------------------|--|
| Power supply | 230 VAC \pm 10% |
| Number of outputs | 8 |
| Output voltage | 230 VAC |
| Max. load per output | 3 W (max. 2 actuators per output) |
| Pump and boiler relay | Max. load 230 VAC (2A) |
| Ambient temperature | 0 - 50° C |
| Transport temperature | -20 - 60° C |
| IP class | 20 |
| ErP class |  (1%) |
| Mains cable length | 2 m |
| Weight | 1.5 kg |
| Internal fuse | F 4.0 A |

Connection Diagrams

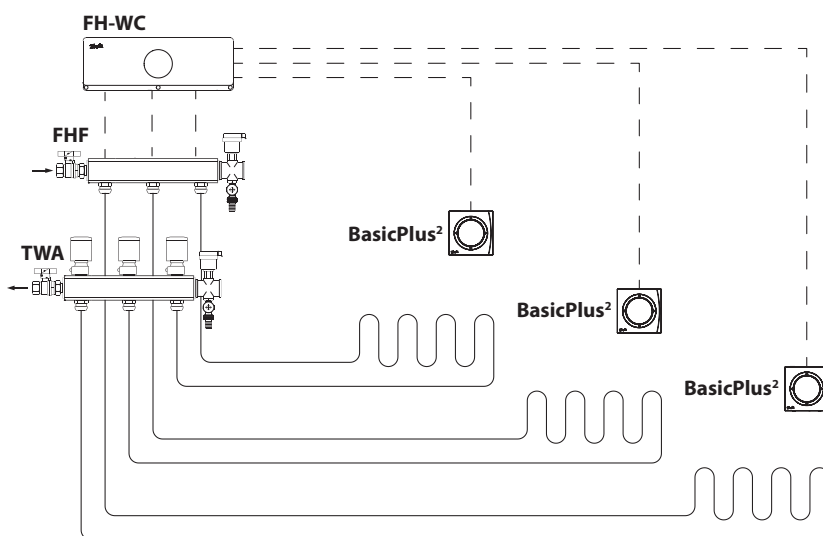


Please note!

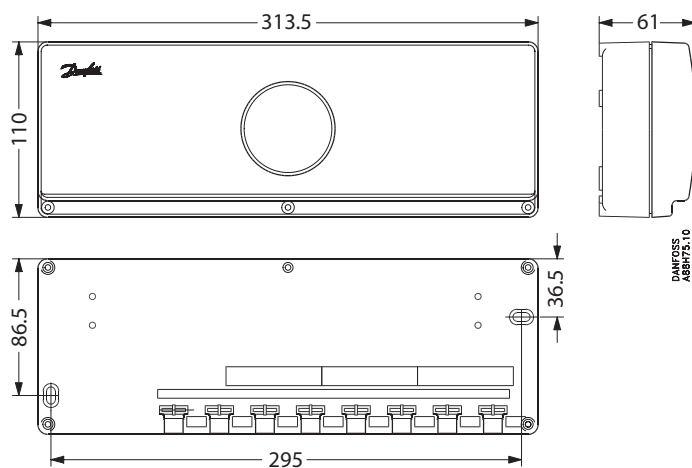
If the Normally Open (NO) output from BasicPlus² is used for pump or boiler relay, the function of the relay will be inverted.

For further information on the BasicPlus² range of room thermostats, see the appropriate data sheet.

System Layout



Dimensions



DANFOSS
ABB75.10



Buy Danfoss products direct

[Shop Now](#)